

Optional Cabinet for TSS/TSR/TSW trolley

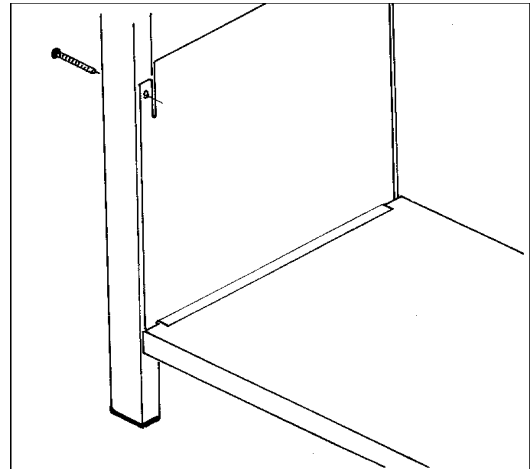
Caution: *Be careful when handling the panels. There may be sharp edges or corners present.*

Assembly Hints

- For new units, it is recommended that the trolley be built up as a plain unit, and then the extra panels added before finally tightening all bolts.
- For TSR/TSW models, the kit includes a full metal tray to replace the wire tray in the trolley.
- Peel the plastic coating away from mating edges before assembling stainless panels. Fully remove the plastic only when assembly is complete to avoid scratching the panels.

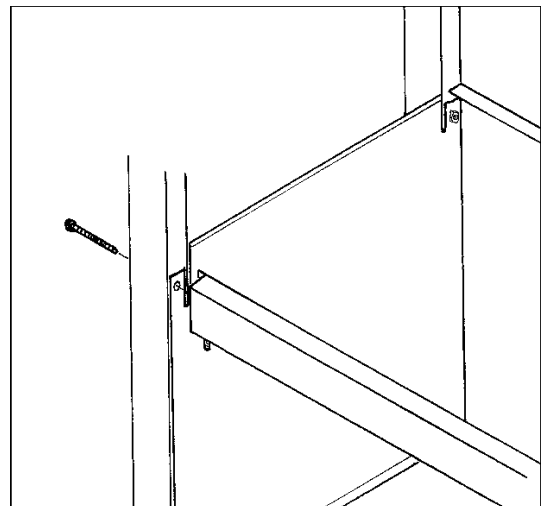
1. Replace the wire base tray where fitted with the metal tray supplied in this kit. The folded edges of the tray should point down so the flat surface is uppermost.

2. With the BBQ in the trolley, begin by fitting the side panels to the legs. The lower edge of the side panel has a fold in it. This must be positioned so that it is pointing into the interior of the trolley and flat on the top surface of the base tray. There are two tabs at the lower edge that fit down between the base tray and the legs, and two holes that align with the pre-drilled holes in the legs adjacent to the underside of the BBQ body. Fit two bolts washers and nuts through the rear legs to attach the side panel. Fit two bolts through the front legs and into the side panels temporarily.



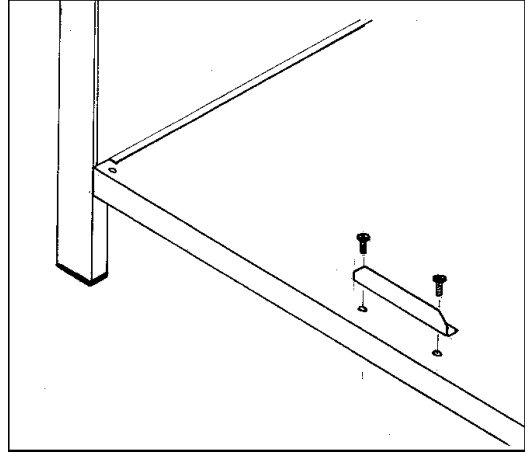
3. Fit the rear panel to the trolley. The trolley should have been assembled with the screws on the faces of the rear legs to the outside. The screws should be loosened a couple of turns and the panel keyhole slots fitted behind the heads. The folded top and bottom edges should face the front of the trolley. Leave the screws loose at this stage.

4. Fit the cross rail to the front legs. Remove the two screws temporarily fitted in **Step 1**. You will need to loosen one front leg from the BBQ body to allow the cross rail to fit in from the front and slot down into the side panels. Ensure the hinge pins for the doors and the striker plate are pointing down when fitting the cross rail. Fix in place with the two bolts, washers and nuts, through the legs, side panels and the ends of the cross rails. Ensure the front of the cross rail is flush with the front of the legs.



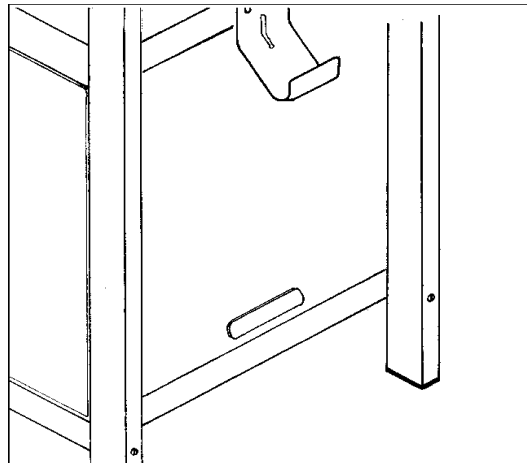
5. Now tighten the bolts in the following order:
Tighten the legs and side shelves onto the BBQ body fully, ensuring that the legs are square with the body.
Tighten the base tray onto the legs, ensuring that the side panels are lined up properly and the folded lower edges of the side panels are tight against the upper surface of the base tray.
Tighten the cross rail to the front legs.

6. Fit the door striker plate to the base tray using the M5 x 12 screws, lock washers and nuts.



7. Fit the handles to the doors. Place a M5 x 12 screw through the hole in the bottom edge of the door and fit a fiber washer to it. Hold the washer and screw in place and offer up the top edge of the door to the top hinge pin in the cross rail. Position the screw in the lower edge of the door into the hole in the base tray. Fit a nut to the lower hinge screw and tighten it enough to take out any looseness in the movement of the door. Repeat with the other door.

8. Fit the cylinder hook to the inlet side of the BBQ body. A strip of foam tape is provided to cushion the bottom of the cylinder on the side panel. Peel off the backing paper and stick the foam tape into place on the side panel.



tel: 0800-800-836
email: sales.info@bbqfactory.co.nz
website: www.bbqfactory.co.nz