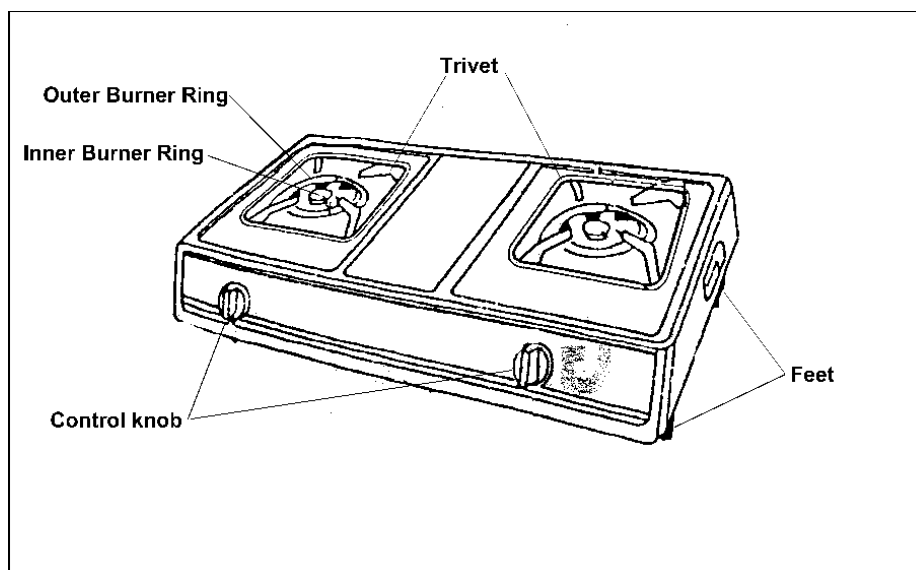


DC100, DC200

TABLE TOP GAS COOKER

Installation and Operation Instructions

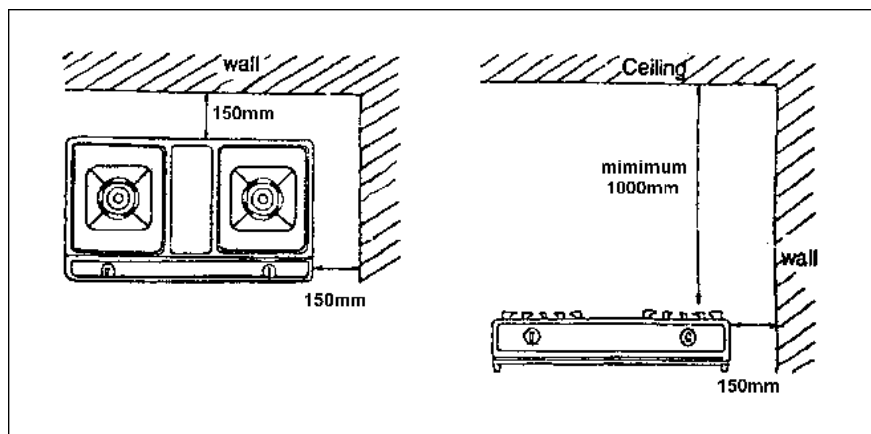


Important Safety Information

- For use with LPG at 2.75kPa inlet pressure only.
- For use as a domestic cooking appliance only. Do not use for drying clothes or as a heater.
- Do not cover the burners with a solid plate. This appliance is designed for use with pots or pans only. DO not use without the trivets in place.
- Use in a well ventilated room only.
- Turn all controls to OFF and turn off the gas supply at the cylinder after use.
- Do not touch the trivets or burners or top panel while in use. The surfaces may be extremely hot.
- Before use leak test the appliance. If a leak is found, DO NOT USE THE APPLIANCE. Turn off the gas at the cylinder and from a safe location, contact your dealer. Do not operate electrical equipment.
- Do not allow the gas hose to contact the body of the appliance in use.

INSTALLATION:

The cooker must only be used on a non-combustible surface. Do not locate under combustible surfaces closer than 1000mm above the trivets. Do not install at distances closer than 150mm to sides and back.



1. Peel all the protective plastic film from the cooker before use.
2. Untie the trivets and burner caps from the inside of the case and then fit the 4 rubber feet to the bottom frame of the cooker. **DO NOT** use the cooker without the feet in place. These are required for correct ventilation.
3. Fit the burner caps and trivets into place.
4. Fit an approved regulator and hose assembly to the inlet fitting at the rear of the cooker. Tighten fully with a spanner, holding the body of the inlet with another spanner to stop rotation. **DO NOT** use thread tape on the threads of the inlet fitting when connecting the hose. This is a brass-to-brass connection, and any tape will cause leaks.
5. **Leak test your cooker.** Connect a full gas cylinder to the regulator and with the controls on the cooker turned OFF, turn on the cylinder valve. Brush a solution of soap and water over all connections, including the cylinder/ valve joint, regulator/cylinder valve joint, regulator/hose joint, as well as the inlet connections. **NEVER USE A NAKED FLAME TO CHECK FOR GAS LEAKS.** If a leak is found, shown by the formation of a stream of bubbles, turn off the gas and retighten the connections. Retest. If this fails to correct the leak, turn off the gas and contact your dealer for assistance. **DO NOT USE THE APPLIANCE.**
6. If all joints are proven gas tight, the cooker is ready for use.

OPERATION:

Check all the burner caps and trivets are correctly placed before use.

Ensuring the gas controls are turned to OFF, turn on the gas cylinder valve. Push in and turn the control knob until spring resistance is felt. Hold for 3-5 seconds to allow gas flow and then turn further until a click is heard. While holding in the knob, check the burner has lit. If not, repeat the operation.

If after several attempts the burner is not lit, turn the gas off and wait several minutes before trying again.

Once the burner is lit, the flame height may be adjusted by turning the control knob. Note that both the inner and outer ring are alight at HIGH setting. At LOW setting, only the inner ring is alight.

To turn off the cooker, turn the controls to OFF and turn off the gas cylinder valve. Always turn off the gas cylinder valve when the cooker is not in use.

It may be necessary to adjust the air slides at the front of the burner to get the flames sitting steadily on the burners and with a minimum of yellow tipping. If the air slides are opened too much, the flame will not sit evenly down on the burner, and it may be very hard to light.

MAINTENANCE AND SERVICE:

Clean the cooker regularly with a damp cloth and detergent. Do not use flammable liquids to clean the cooker. Do not immerse in water.

If the flames become uneven, remove the burner caps and scrub with a stiff brush and soapy water to remove any grease or dirt. Dry the caps fully before replacing them.

Check and replace the hose and regulator regularly, and if there is any cracking or crazing of the rubber hose.

The cooker should be checked regularly by an approved service agent to confirm that it is operating properly and remains safe to use. Contact your dealer for assistance.



Freephone: 0800-800-836
Email: sales.info@glg.co.nz
Website: www.barbecuefactory.com