

BARBECUE TROLLEY TBV

TROLLEY ASSEMBLY INSTRUCTIONS



A TASTE FOR LIFE

Tel: 0800-800-836
Email: sales.info@glg.co.nz
Website: www.barbecuefactory.com

This is a kit set trolley. Assembly is required. A pair of pliers and an adjustable spanner will be required, in addition to the hex key included in the hardware pack.

In the event of the fastenings becoming loose with continued use, simply retighten with the hex key supplied.

Please read and understand these instructions before beginning assembly.

Please note that some illustrations may differ slightly from your particular product.

Remove all parts from the packaging, lay out on a padded surface and identify and check, before commencing assembly. Check for damage or missing parts. If found, contact your Dealer.

You should have the following parts: (See back page for parts illustrations)

2x	Plain Legs	2x	Axle Legs (with large holes for the axle)
2x	Side Shelf Assy	1x	Lower Shelf Assy
2x	Wheels	1x	Axle
1x	Cylinder Hook		
1x	Bolt Pack Comprising:		
	24x 40mm JCB Bolts	8x	105mm JCB Bolts
	2x 12mm Screws	10x	M6 Hex Nuts
	10x M6 Lock Washers	2x	Wheel Retainers
	1x Hex Key		

Bolt the 2 axle legs to the outsides of the side rails of one side shelf, using 40mm bolts into the Tee-nuts on the side shelf rails. Repeat with the plain legs and the other side shelf. **See Fig 1. DO NOT TIGHTEN THESE BOLTS FULLY.**

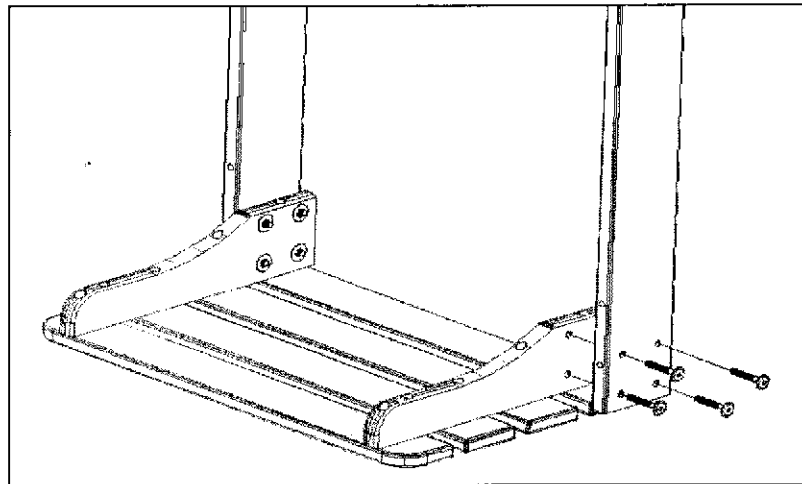


Fig 1

Remove all loose parts from the body of the BBQ and place it upside down on a padded surface. Bolt the legs and side shelves to the sides of the BBQ, using 105mm bolts, plus lock washers and nuts. Ensure the axle legs are positioned on the left (gas inlet) side of the BBQ and the plain legs are on the right. **See Fig 2. DO NOT TIGHTEN THESE BOLTS FULLY.**

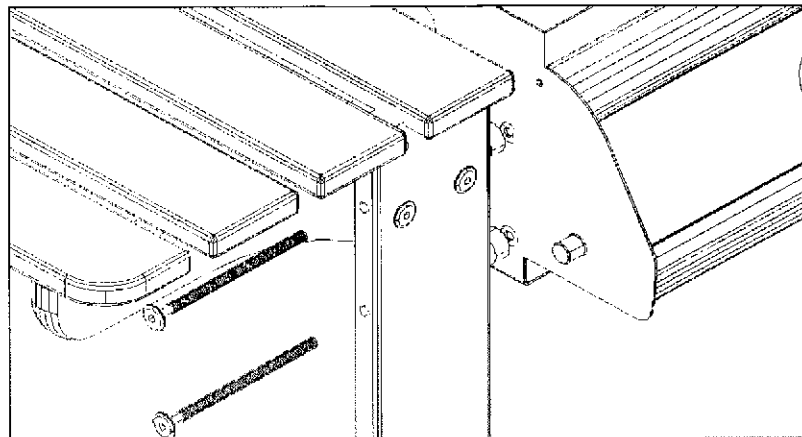


Fig 2

Fit the lower shelf to the insides of the legs. Use 40mm bolts, as shown in **Fig 3.**
NOW TIGHTEN ALL BOLTS FULLY, ENSURING THAT THE LEGS AND SIDE SHELVES ARE SQUARE.

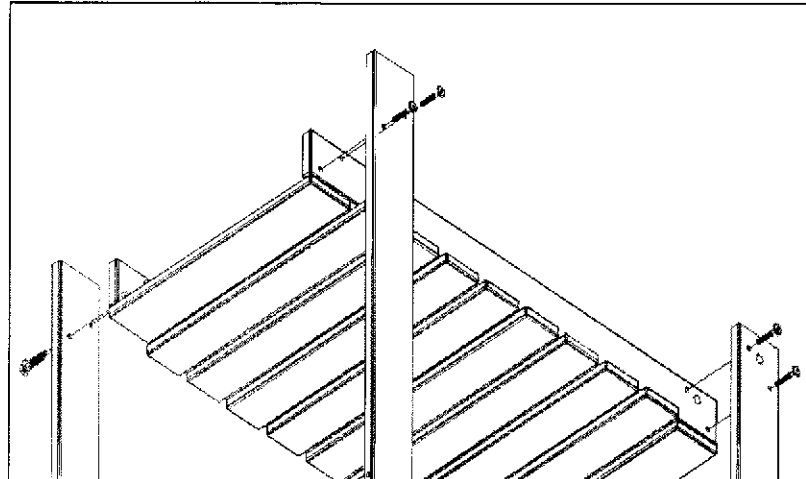


Fig 3

Slide the axle through the holes in the bottom of the axle legs. **See Fig 4.** Slide on the wheels and fit the retainer clips by clipping them into the grooves in each end of the axle. A pair of pliers is best for this.

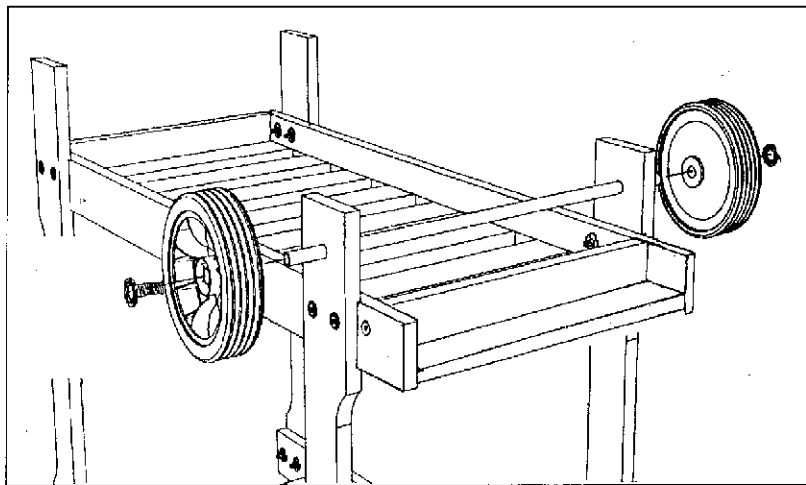


Fig 4

Turn the trolley and BBQ upright.
Fit the cylinder hook to the left side of the BBQ grill body, using the 12mm screws, lock washers and hex nuts. Adjust the height so that when the cylinder is fitted, the foot ring of the cylinder is resting against the axle or lower shelf.
See Fig 5.

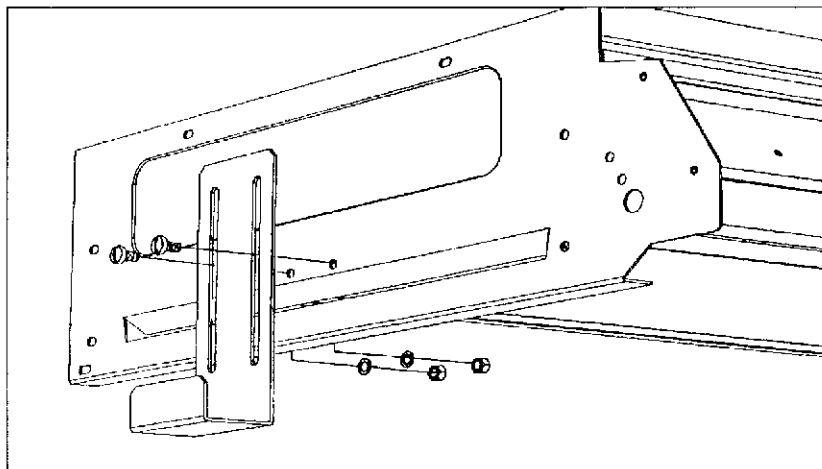
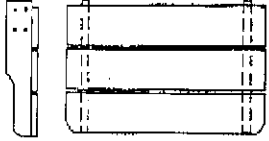
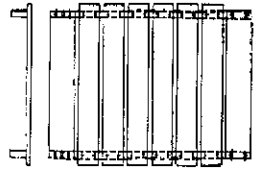
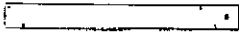
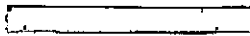



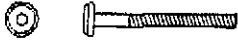





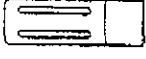




Fig 5

REFER NOW TO YOUR BBQ INSTRUCTION BOOKLET FOR FURTHER ASSEMBLY OF YOUR BBQ.

This product is treated at the factory with a protective finish to provide some protection from the effects of sun and rain. Periodic application of a proprietary brand of exterior quality coating is recommended to ensure the continuing protection of your trolley from these effects. It is recommended that your trolley and BBQ are stored protected from the effects of the weather.

TBV TROLLEY		
QTY	ITEM	PICTURE
2	SIDE SHELF	
1	LOWER SHELF ASSEMBLY	
2	AXLE LEG	
2	PLAIN LEG	
2	WHEEL	
1	AXLE	
1	HARDWARE PACK	

HARDWARE PACK TBV		
QTY	ITEM	PICTURE
8	M6 X 110 JCB BOLT	
24	M6 X 40 JCB BOLT	
2	M6 X 12 RND HD SCREW	
10	M6 HEX NUT	
10	M6 LOCK WASHER	
2	WHEEL RETAINER	
1	CYLINDER HOOK	
1	HEX KEY	
1	INSTRUCTION SHEET	
1	PLASTIC BAG	