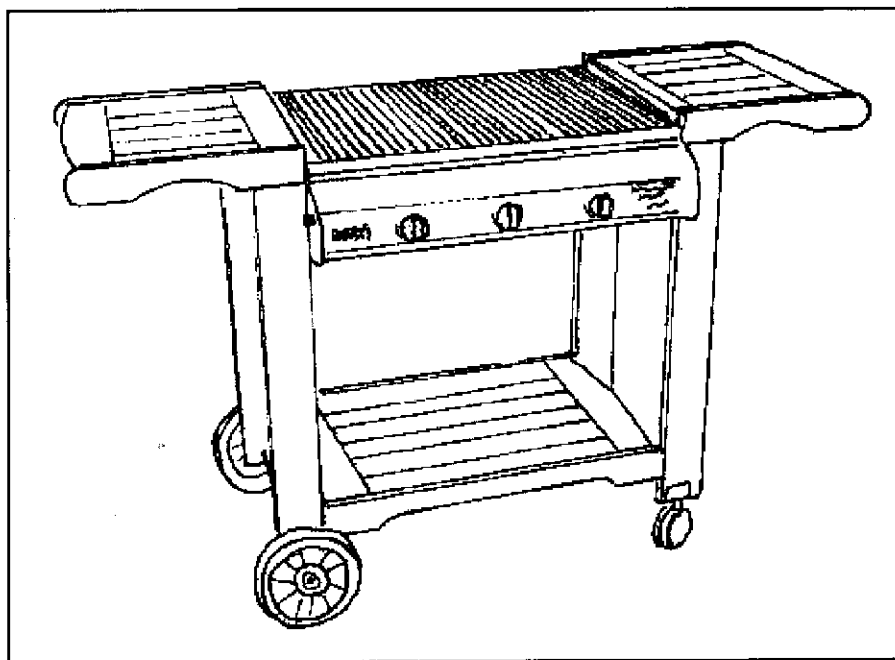


# BARBECUE TROLLEY TRE



TRE3 shown with BBQ (not included)

## TROLLEY ASSEMBLY INSTRUCTIONS

This product is treated at the factory with a protective finish to provide some protection from the effects of sun and rain. Periodic application of a proprietary brand of exterior quality coating is recommended to ensure the continuing protection of your trolley from these effects.  
It is recommended that your trolley and BBQ are stored protected from the effects of the weather.



**A TASTE FOR LIFE**

Tel: 0800-800-836  
Email: [sales.info@glg.co.nz](mailto:sales.info@glg.co.nz)  
Website: [www.barbecuefactory.com](http://www.barbecuefactory.com)

This is a kit set trolley. Assembly is required. A pair of pliers and an adjustable spanner will be required, in addition to the hex key included in the hardware pack.

In the event of the fastenings becoming loose with continued use, simply retighten with the hex key supplied.

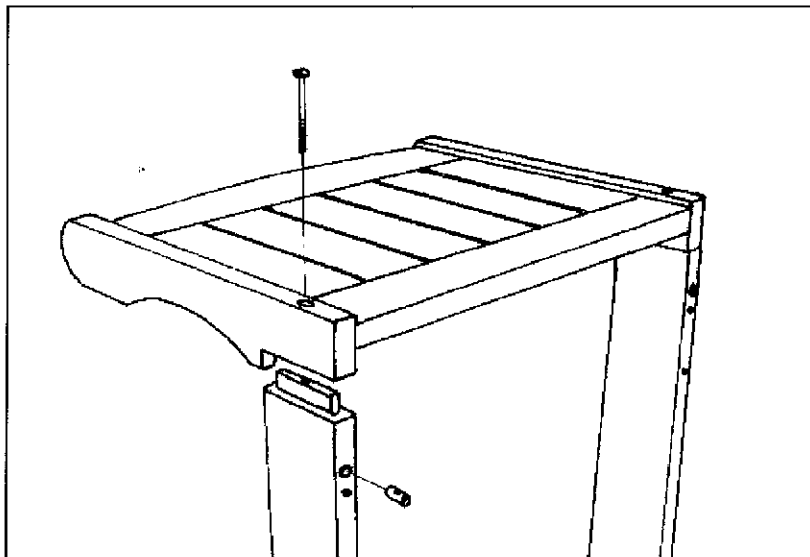
**Please read and understand these instructions before beginning assembly.**  
**Please note that some drawings may differ slightly from your product.**

Remove all parts from the packaging, lay out on a padded surface and identify and check, before commencing assembly. Check for damage or missing parts. If found, contact your Dealer.

You should have the following parts: ( See back page for parts illustrations )

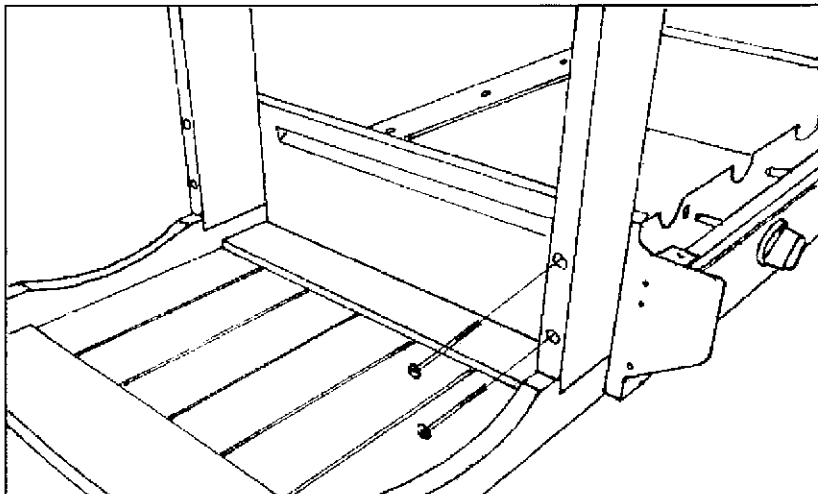
- |    |                         |     |   |
|----|-------------------------|-----|---|
| 2x | Castor Legs             | 2x  | Axle Legs (with large holes for the axle) |
| 2x | Side Shelf Assy         | 1x  | Lower Shelf Assy                          |
| 2x | Wheels                  | 1x  | Axle                                      |
| 2x | Castors                 | 1x  | Cylinder Hook                             |
| 1x | Bolt Pack - comprising: |     |   |
|    | 4x 60mm JCB Bolts       | 12x | 110mm JCB Bolts                           |
|    | 2x 12mm Screws          | 10x | M6 Hex Nuts                               |
|    | 10x M6 Lock Washers     | 2x  | Wheel Retainers                           |
|    | 1x Hex Key              | 8x  | Dowel Nuts                                |
|    | 16x Wood Buttons        |     |   |

Fit the two axle legs to one of the side shelves, using 60mm bolts and dowel nuts. Repeat with the two castor legs and the other side shelf. **See Fig 1 DO NOT TIGHTEN THESE BOLTS FULLY.**



**Fig 1**

Remove all loose parts from the BBQ body and place it upside down on a padded surface. Bolt the legs and side shelves to the sides of the BBQ, ensuring the wheel legs are fitted to the left (gas inlet) side of the BBQ, and the castor legs are to the right. **See Fig 2. DO NOT TIGHTEN THESE BOLTS FULLY.**



**Fig 2**

Fit the lower shelf to the insides of the legs. Use 110m bolts and dowel nuts. See Fig 3. NOW TIGHTEN ALL BOLTS FULLY, ENSURING THAT THE LEGS AND SIDE SHELVES ARE SQUARE. Tap in the wooden buttons to cover the bolts.

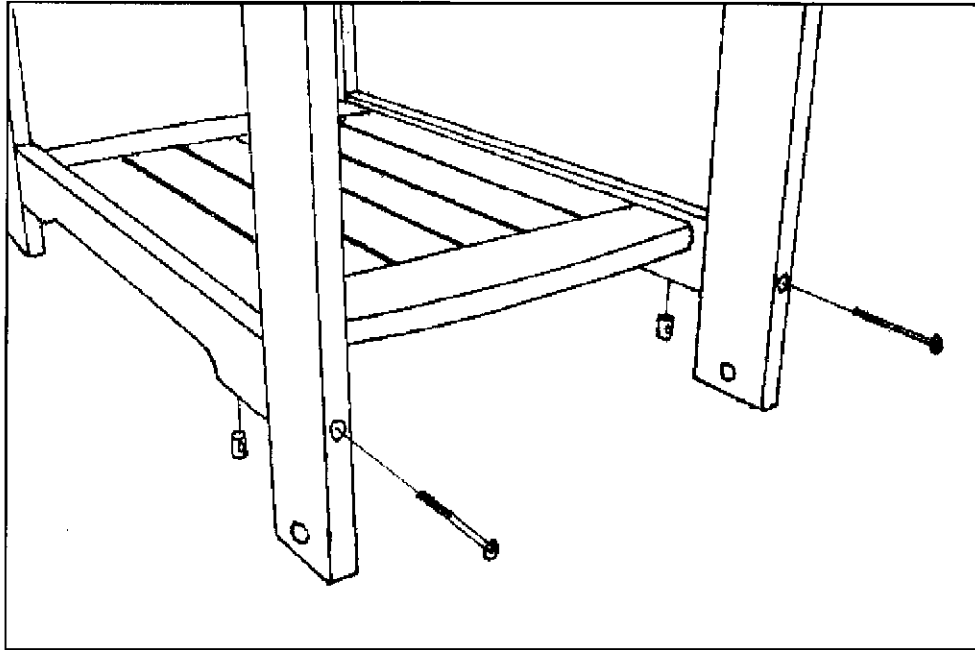


Fig 3

Fit the castors to the other legs, pushing them firmly onto the stems. DO NOT hammer them on – this will damage them. Slide the axle through the holes in the bottoms of the axle legs. See Fig 4 a,b Slide on the wheels and fit the retainer clips by clipping them into the grooves in each end of the axle. A pair of pliers is best for this. Fit the hubcaps by tapping home.

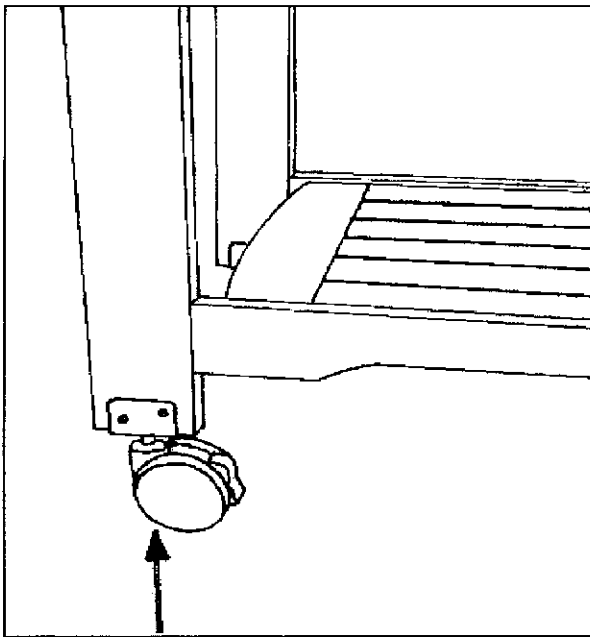


Fig 4a

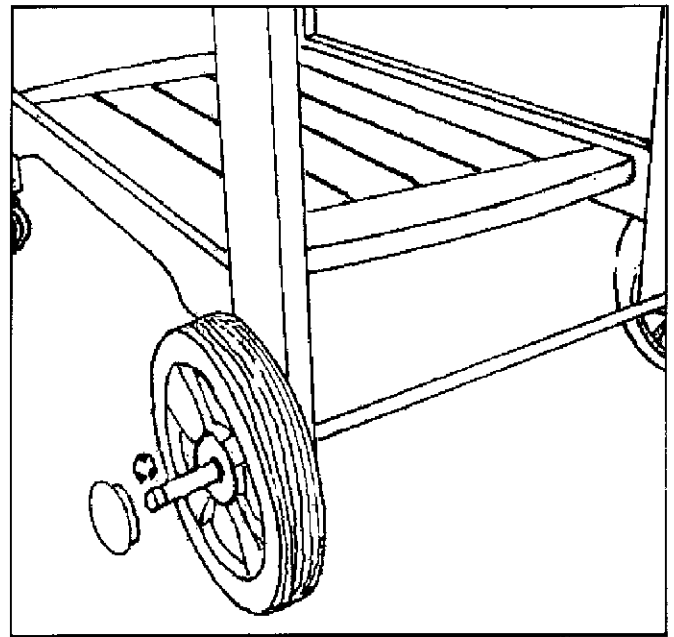
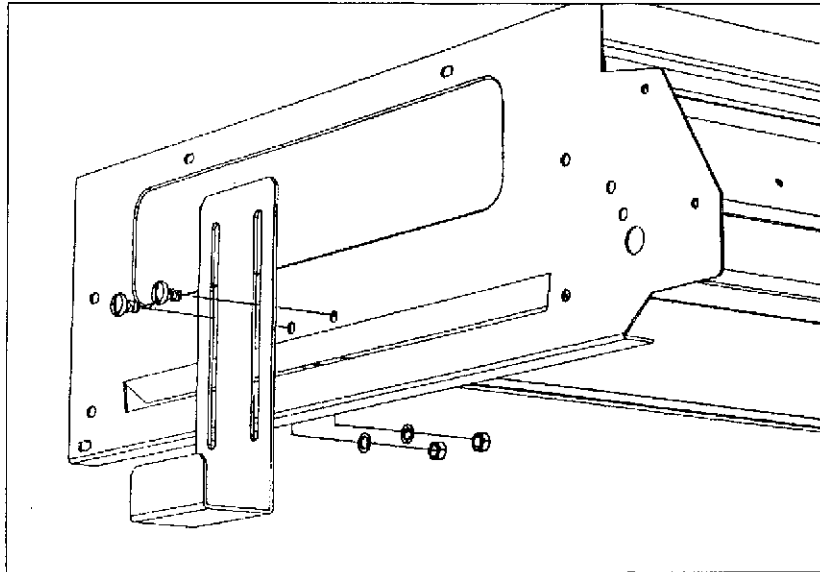


Fig 4b

Turn the trolley and BBQ upright, and fit the cylinder hook to the left side of the BBQ body, using the 12mm screws, lockwashers and hex nuts. Adjust the height so that when the cylinder is fitted, the footing of the cylinder is resting on the lower tray. See Fig 5.



REFER NOW TO YOUR BBQ INSTRUCTION BOOKLET FOR FURTHER ASSEMBLY OF YOUR BBQ.

TRE TROLLEY		
2	SIDE SHELF	
1	LOWER TRAY	
2	AXLE LEG	
2	CASTOR LEG	
2	WHEEL	
1	AXLE	
1	HARDWARE PACK	

HARDWARE PACK		
12	110mm JCB BOLT	
4	60mm JCB BOLT	
2	12mm SCREW	
10	HEX NUT	
10	LOCK WASHER	
2	WHEEL RETAINER	
8	DOWEL NUT	
1	HEX KEY	
2	CASTOR	
1	CYLINDER HOOK	
1	INSTRUCTIONS	
1	PLASTIC BAG	