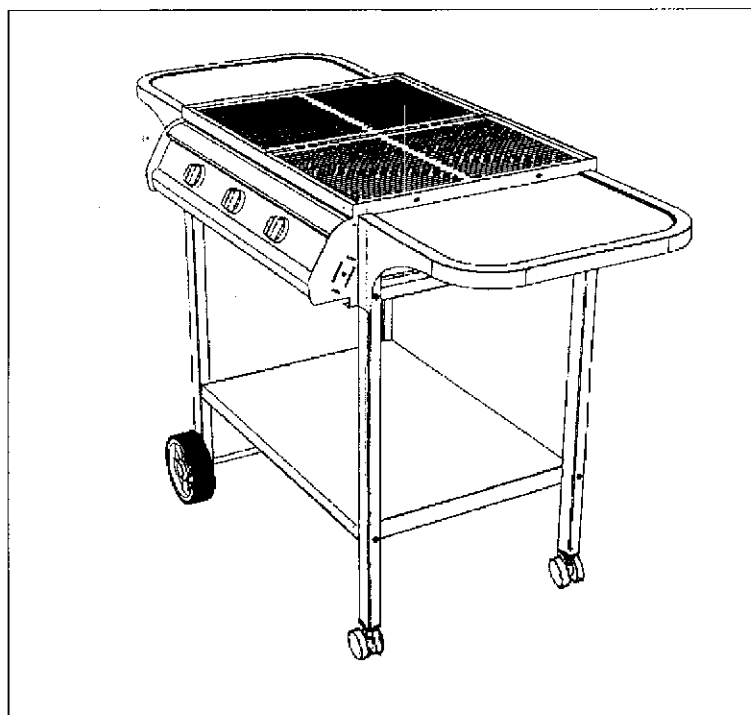


# BARBECUE TROLLEY TSR

## TROLLEY ASSEMBLY INSTRUCTIONS

This is a kitset trolley. Assembly is required. A small hammer and an adjustable spanner will be required.



**A TASTE FOR LIFE**

Tel: 0800-800-836  
Email: [sales.info@glg.co.nz](mailto:sales.info@glg.co.nz)  
Website: [www.barbecuefactory.com](http://www.barbecuefactory.com)

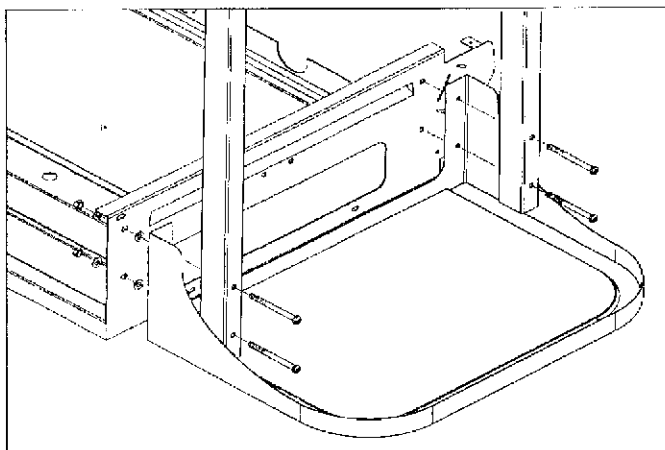
**Please read and understand these instructions before beginning assembly.**

Remove all parts from the packaging, lay out on a padded surface and identify and check, before commencing assembly. Check for damage or missing parts. If found, contact your Dealer.

You should have the following parts: ( See back page for parts illustrations )

2x	Plain legs	2x	Axle legs (with large holes for axle)
2x	Side Shelves	1x	Base Tray
2x	Wheels	1x	Axle
2x	Castors	1x	Cylinder Hook
1x	bolt pack comprising:		
	8x 70mm bolts	4x	60mm bolts
	2x 10mm bolts	14x	hex nuts
	14x lockwashers	2x	wheel retainers
	4x spacer plates		

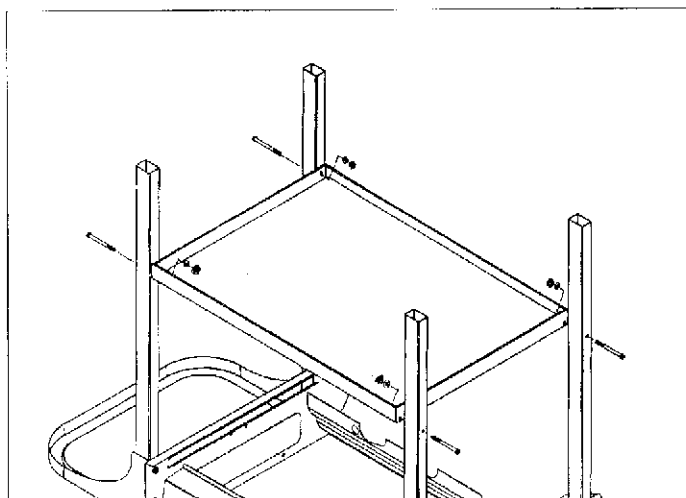
1 Lay your BBQ body upside down on a padded surface with the back towards you. Take one side shelf and lay it alongside the left hand (gas inlet) side of the BBQ. Take an axle leg, pass two 70mm bolts through the leg and through the side shelf. Place a spacer plate on the bolts and then fit to the BBQ body, securing with lock washers and nuts. Repeat with the other axle leg. Do not tighten the bolts fully yet. *See Fig 1. If you are fitting a roasting hood to the BBQ, please refer to page 3 for special instructions before proceeding.* Repeat the procedure with the plain legs on the right hand side of the BBQ. Do not tighten the bolts fully yet.



**Fig 1**

Fit the base tray to the inside faces of the legs, using 60mm bolts nuts and lock washers. Ensure that the tray is positioned with the folded edges directed as shown in Fig 2, so the upper surface will be flush.

**Now tighten all bolts fully, ensuring that the legs and side shelves are square.**



**Fig 2**

Slide the axle through the holes in the bottom of the axle legs. Slide a wheel on and fit the retainer by clipping it into the groove on the end of the axle. This can be done easiest by using a pair of long nose pliers. Fit the second wheel and retainer. Fit the plastic hubcaps. **See Fig 3**

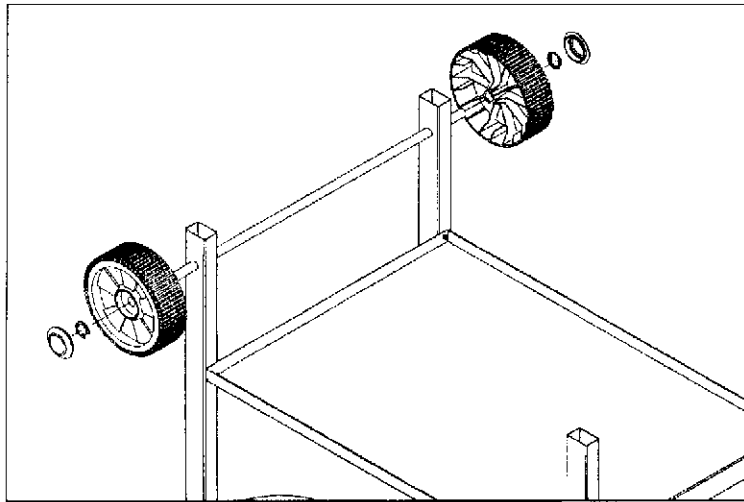


Fig 3

Push the stems of the castors fully into the holes in the plastic plugs in the bottoms of the plain legs. These will click into place when fully home.

Turn the BBQ and trolley upright. Fit the cylinder hook to the left side of the BBQ body, using the short screws, lockwashers and nuts. Adjust the height so that, when the cylinder is fitted, the foot ring of the cylinder is resting on the edge of the lower tray. **See Fig 4.**

REFER NOW TO YOUR BBQ INSTRUCTION MANUAL FOR FURTHER ASSEMBLY OF YOUR BBQ.

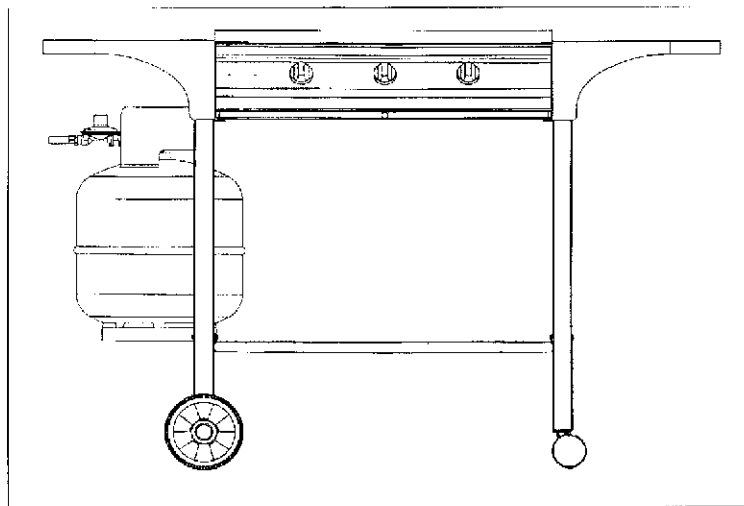
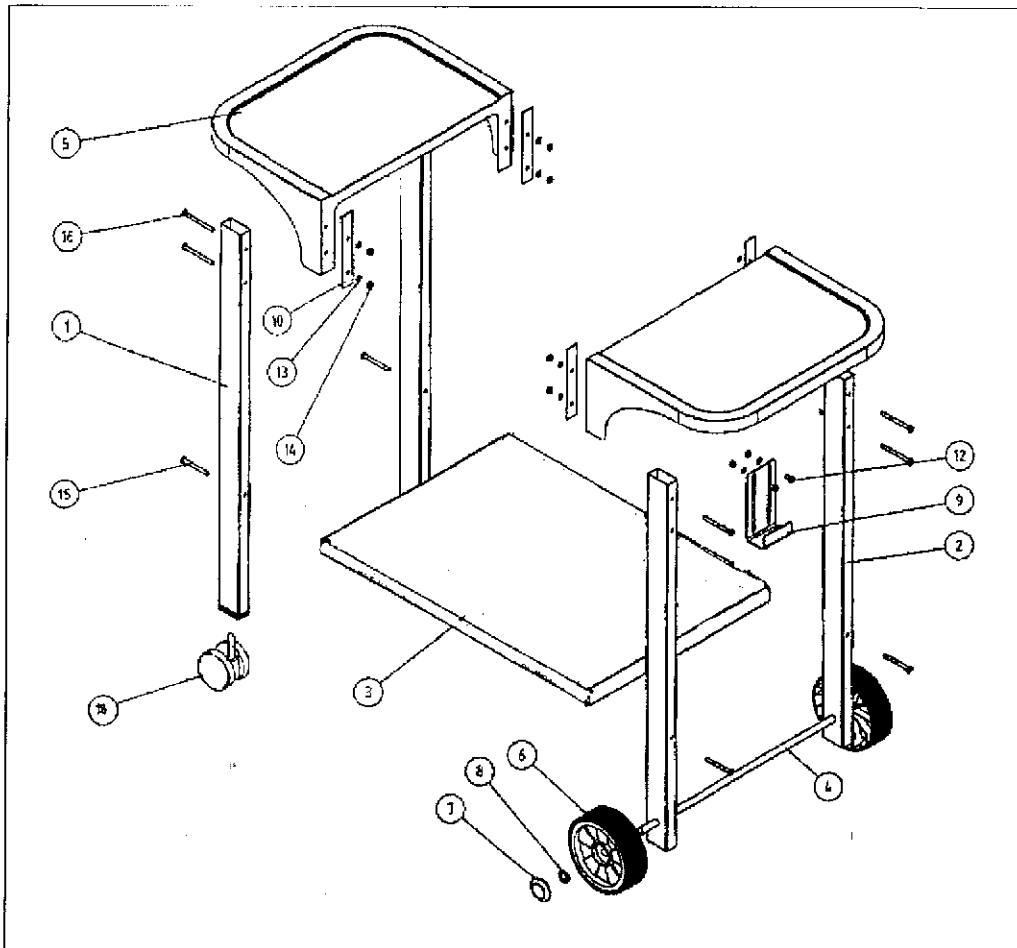


Fig 4

**Roasting Hood - special instructions:**

*Refer to the Roasting Hood Instructions for illustrations of this step.*

The hardware pack for the roasting hood contains 2 hinge plates that must be fitted to the back of the BBQ. These plates are fitted to the inside faces of the BBQ sides, using the leg bolts, washers and nuts. The bolts must be left loose until after the hood is fitted and centralised on the body. They can then be fully tightened.



- |    |               |    |               |
|----|---------------|----|---------------|
| 1  | Plain Leg     | 2  | Axle Leg      |
| 3  | Lower Tray    | 4  | Axle          |
| 5  | Side Shelf    | 6  | Wheel         |
| 7  | HubCap        | 8  | Retainer      |
| 9  | Cylinder Hook | 10 | Spacer Plate  |
| 11 | - - - - -     | 12 | M6 x 10 Bolt  |
| 13 | M6 Lockwasher | 14 | M6 Nut        |
| 15 | M6 x 60 Bolts | 16 | M6 x 70 Bolts |
| 17 | - - - - -     | 18 | Castor        |