

GAS BARBECUE

Assembly and Operation Manual for Gas Barbecues

This Manual covers the following models of Barbecues:

- **DUO**
- **KIWI BACKYARD**
- **COOK ON Limited Edition / SUPAGRILL**
- **GOURMET / CAPT'N COOK**

**Please read and understand this manual before assembly
and use of your Barbecue.**

**If you have any questions regarding this manual, or use of your Barbecue,
please contact your Dealer.**



**G.L.G New Zealand Limited
Roma Road, Mt Roskill, Auckland
New Zealand**

THIS MANUAL CONTAINS:

- **IMPORTANT SAFETY INFORMATION**
- **GAS BBQ ASSEMBLY INSTRUCTIONS**
- **GAS BBQ OPERATION INSTRUCTIONS**
- **GAS BBQ CARE AND SERVICING INSTRUCTIONS**

FOR YOUR SAFETY:

IF YOU SMELL GAS:

- Turn off the gas supply at the cylinder.
- Extinguish all naked flames; do not operate any electrical products.
- Ventilate the area.
- Check for leaks as detailed in this manual.
- If odour persists, contact your Dealer or Gas Supplier immediately.

CONTENTS

IMPORTANT SAFETY INFORMATION	3
Assembly of your Barbecue	
1 Fitting to your Trolley.....	4
2 Fit the Rain cover Handle and Retainer.....	4
3 Fitting Cross-lighting Tubes, Burners and Grease Tray.....	5
4 Fit the Cast Iron Cookware.....	5
5 Fitting Regulator/Hose assembly and Gas Cylinder.....	6
6 LEAK TESTING.....	7
7 Built-in Applications.....	7
Operation of your Barbecue	
8 Lighting Your Barbecue.....	8
9 Turning Off Your Barbecue.....	9
10 Cooking on Your Barbecue.....	10
Caring for Your Barbecue	
11 Cleaning your Barbecue.....	10
12 Servicing your Barbecue.....	11
13 Storing your Barbecue.....	11
14 Transporting your Barbecue.....	12
15 Accessories.....	12

IMPORTANT INFORMATION

PLEASE READ AND UNDERSTAND THESE INSTRUCTIONS BEFORE ASSEMBLY AND USE.

- Retain these instructions for future reference.
- For outdoor use only - do not use indoors.
- For use only with low pressure propane/butane. - a gas regulator with an outlet pressure of 2.75 k Pa must be used - only approved hose may be used.
- Always turn off the gas cylinder when the barbecue is not in use.
- Do not move the barbecue while it is alight.
- Modification of the barbecue may be dangerous and is not permitted.
- Use only on firm level ground.
- Leak test whenever the gas cylinder is removed and replaced.
- Do not use within 500 mm of any flammable structure or under unprotected ceiling or cover.
- Do not store flammable materials near this barbecue.
- Do not use aerosols near this barbecue.
- Servicing may only be carried out by qualified people - see your dealer.
- Parts of this barbecue become very hot - care must be taken when operating in the presence of children, elderly people or animals.
- If you smell gas, turn off the gas supply immediately. Extinguish any open flames. Check for gas leaks as described in this manual. If odour persists, contact your dealer or gas supplier immediately.
- Failure to follow the instructions in this manual could result in serious injury and/or property damage.
- If you have queries regarding these instructions, contact your dealer.

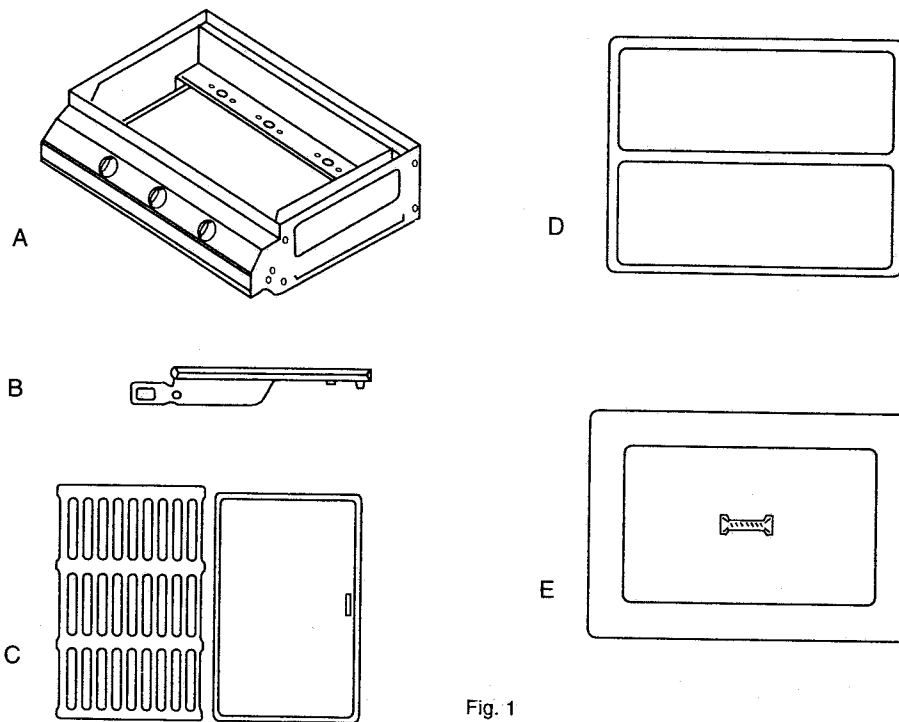


Fig. 1

Assembly Instructions:

Remove all components from the packaging and check for damage or missing items. If you find damaged or short-packed parts, contact your dealer immediately.

You should have the following parts: see Fig. 1

A	1x	Barbecue body
B	1x	Set of cast iron burners
C	1x	Set of cast iron cookware
D	1x	Grease tray
E	1x	Rain cover with plastic handle and retainer bracket (Some models are not supplied with a rain cover as standard.)

1 BEGIN BY FITTING THE BARBECUE BODY TO YOUR TROLLEY.

Refer to the instructions supplied with the trolley for fitting method. This varies depending on the trolley style. (For build-in applications, see the section covering these later in this booklet.)

2 FIT THE RETAINER AND HANDLE TO THE RAIN COVER:

See Fig. 2.

Fit the flat metal retainer to the inside of the rain cover, using the two self tapping screws that also hold the plastic handle on the outside of the cover.

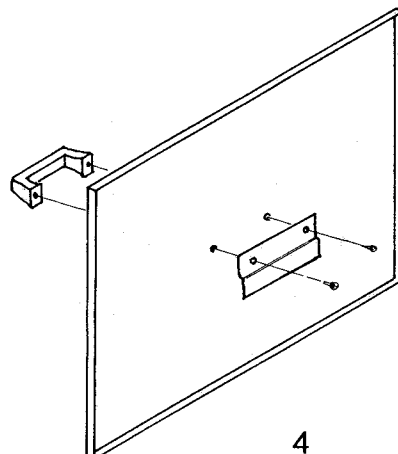


Fig. 2

3 FIT THE CROSS LIGHTING TUBE, BURNERS AND GREASE TRAY TO THE BBQ:

See Fig 3 (Note that some models are not supplied with cross lighting tube)

The cross lighting tube is placed on the burner rest and is retained in place by the locating pegs of the burners. Fit each burner to the barbecue by placing the neck of the burner through the large hole in the front bulkhead of the barbecue and locating it on the gas control nipple. The rear of the burner is then lowered onto the back burner rest, locating the cast peg on the underside of the burner into the hole in the burner rest and trapping the cross lighting tube in place.. Repeat for the other burners.

Note 1: The air adjustment screw in the side of the burner neck, where fitted, should be screwed all the way in and secured with the locknut before installation of the burner.

Note 2: The burner should be loose on the gas control nipple. Do not attempt to fix it tightly or seal it.

Slide the grease tray into place from the front of the barbecue below the fascia panel. Push it all the way back to its stop. This tray must be filled before use with an even layer, approximately 10mm thick, of non-combustible, fat absorbing medium or clean, dry sand. This must be kept clean and loose in order to absorb fat drippings. If this is not done, it may be possible for the fat drippings to ignite and burn. Check regularly that the absorbing medium is loose and clean. Lining the tray with aluminium foil before filling can assist in removal of the fat soaked absorbing medium. **DO NOT USE SAWDUST OR OTHER FLAMMABLE MATERIAL IN THE GREASE TRAY.** Always ensure the tray is pushed back to its stop and is not held by the bottom edge of the fascia panel.

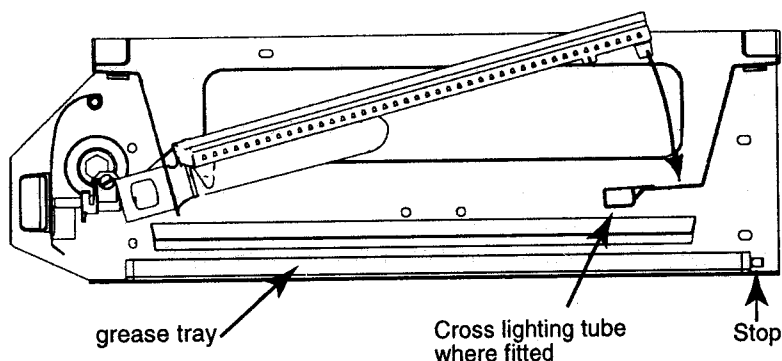


Fig. 3

4 FIT THE CAST IRON COOK WARE:

See Fig 4

Place the cast iron cooking grilles, or grille and plate, into the barbecue. These rest on the ledges formed on the front and back panels. The cast iron should be washed thoroughly in warm soapy water, dried and coated with a liberal coating of cooking oil before first use.

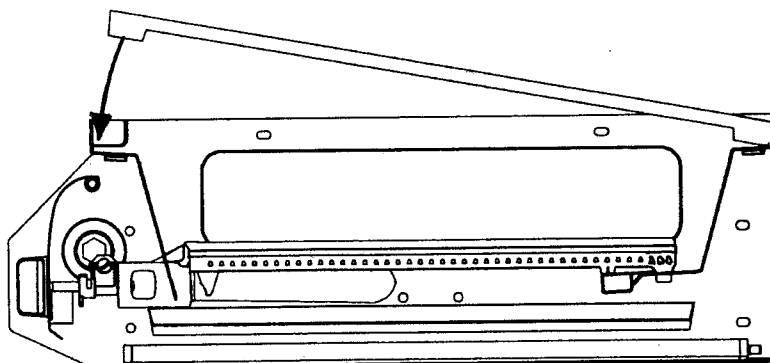


Fig. 4

5 FIT THE GAS CYLINDER AND REGULATOR:

See Fig 5

You should have purchased a suitable approved 2.75 kPa supply pressure regulator and hose set with your barbecue. Attach the hose to the gas inlet fitting on the left side of the barbecue, tightening it with a spanner. **Do not use thread tape on the inlet or hose fitting.** Ensure the hose is not twisted or kinked while tightening and that it does not come into direct contact with any part of the barbecue body.

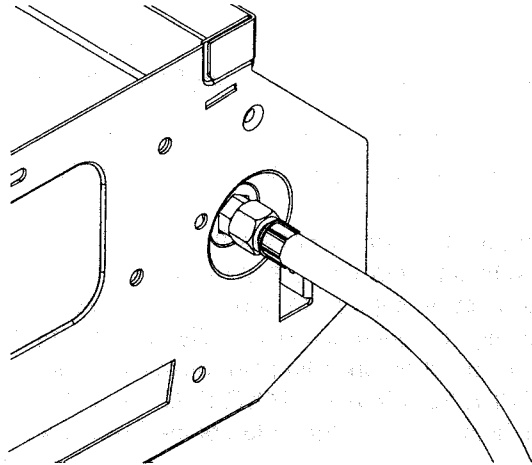


Fig. 5

THE FOLLOWING MUST BE CARRIED OUT OUTDOORS IN A WELL VENTILATED AREA.

DO NOT SMOKE - DO NOT ALLOW ANY NAKED FLAMES IN THE VICINITY.

Install a full gas cylinder, hanging it from the cylinder hook. Adjust the hook as in the trolley instruction sheet to correct height. Your cylinder should be either a 9 kg or 4.5 kg LPG capacity. The cylinder must always be installed in the upright position. Do not use, store or transport the cylinder tipped on its side.

Inspect the O-ring or seal on your regulator inlet to ensure it is sound, free of cuts or nicks and clean. Screw the regulator into the cylinder valve outlet. Tighten with a spanner. Ensure the hose is not twisted or kinked while tightening and route it so that it is at least 75mm away from hot surfaces. **See Fig 6.**

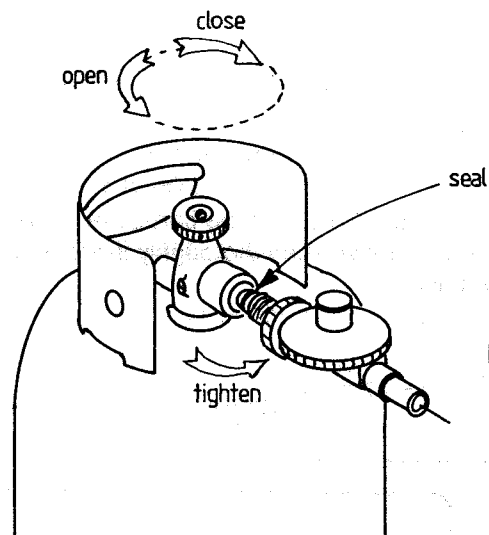


Fig.6

